

TSC-AS

In-line seal tester





Seal tester

TSC-AS Seal Tester

In-line inspection system that receives packs directly from the bagmaker checking each one for leaks, incorrect inflation, double packs.



High speed
Inspection speeds up to 150 bags per minute



Full compatibility
Unit can be installed into a line with all brands of case packers and bagmakers



Easy changeover
Servo driven height adjustment for in-feed belt and conditioning heads allow automatic product change at a touch of a button

Servo motor control allows optimum adjustment of inspection head for greater leak detection accuracy

Reject system comprising of 2 way air-jets and drop-down belt for larger packs

Series of settling brushes gently agitate and smooth out product inside the pack to ensure correct thickness measurement



Independently controlled belts receive packs from the bagmaker ensuring correct alignment and spacing prior to inspection

Gull wing cover

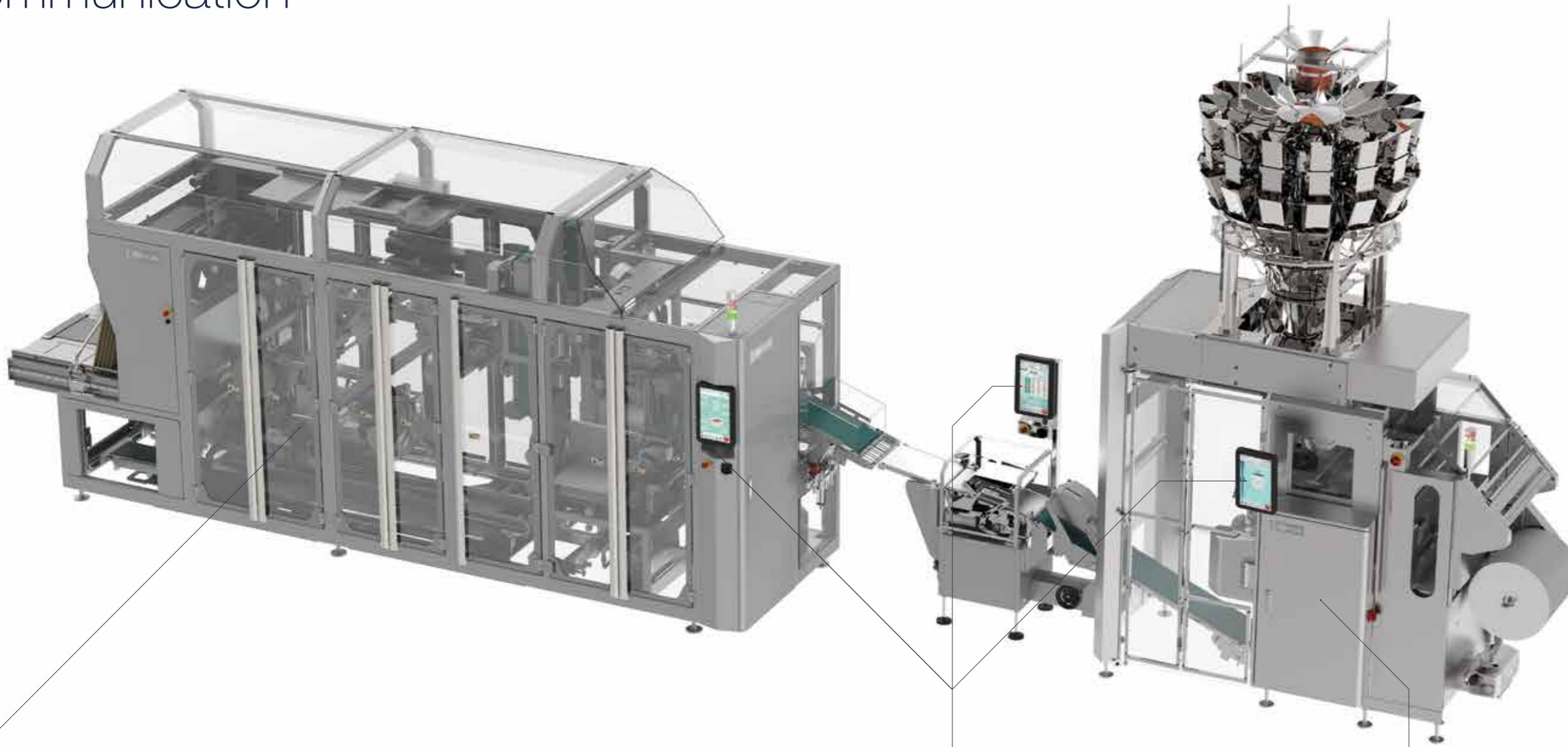
Whilst providing good and clear access the fixed position of this cover avoids any interference with up or down stream equipment as opposed to the use of a sliding cover.



Advanced HMI

Each screen is arranged to allow quick and easy access to information relating to machine settings, pack quality, line efficiency, machine diagnostics etc.

Up-stream and down-stream communication



Down-stream

The TSC-AS can feed-forward air-fill data to the Ishida 700 series case packer allowing adjustments to be made preventing the likelihood of packs being miss-fed.

Complete line control from one HMI

Ishida ITPS 2 software allows full in-line control and access to each machine from one single HMI.

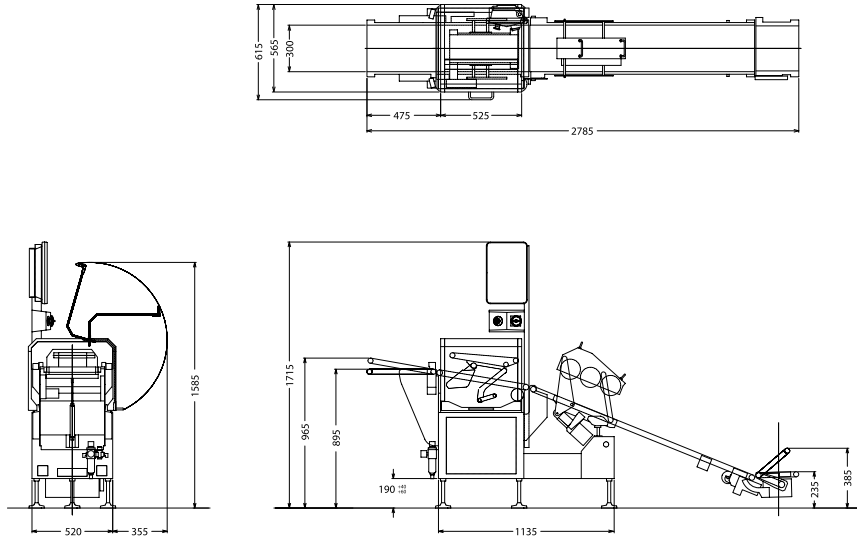
Single command product change

Complete line change can be performed from any of the machine HMI's within the same line providing for a fast and error free product change-over without the requirement of a skilled operator.

Up-stream

The TSC-AS can measure and feed-back air-fill data directly to the Ishida bagmaker allowing automatic adjustment of the jaws to maintain a constant pack thickness.

Dimensions



Specifications

TSC-AS

Bag size handling	Width	50mm – 330mm
	Length	100mm – 650mm
	Thickness	15mm – 123mm
Inspection speed		150 bpm
Inspection accuracy		Pinhole 3mm (at 150 bpm)
Bag type handling		Pillow
Machine details		Mainframe: powder coated steel or stainless steel IP-30 (International standard)
Conformity		CE RoHS IEC61131-3 (PLC regulation)
Power requirements and consumption		Single phase: 200V ~ 240V 0.5kW 4.5A (240V 50/60Hz)
Air consumption		6.4 litres/min (per rejection) (ANR) 0.4 Mpa
Weight		~ 285kg

Design and specifications are subject to change without notice.

ISHIDA EUROPE LIMITED
Kettles Wood Drive
Woodgate Business Park
Birmingham
B32 3DB
United Kingdom
Tel: +44 (0)121 607 7700
Fax: +44 (0)121 607 7888
info@ishidaeurope.com

ISHIDA CZECH REPUBLIC
Tel: +420 220 960 422
info@ishidaeurope.cz

ISHIDA EAST AFRICA
Tel: +254 (0)20 8124333
info@ishidaeurope.com

ISHIDA FRANCE
Tel: +33 (0)1 48 63 83 83
Fax: +33 (0)1 48 63 24 29
info@ishidaeurope.com

ISHIDA GERMANY
Tel: +49 (0)791 945 160
Fax: +49 (0)791 945 1699
info@ishida.de

ISHIDA MIDDLE EAST
Tel: +971 (0)4 299 1933
Fax: +971 (0)4 299 1955
ishida@ishida.ae

ISHIDA NETHERLANDS
Tel: +31 (0)499 39 3675
Fax: +31 (0)499 39 1887
info@ishida.nl

ISHIDA POLAND
info@ishidaeurope.com

ISHIDA ROMANIA
Tel: +40 731 34 79 34
info@ishidaeurope.ro

ISHIDA SOUTH AFRICA
Tel: +27 (0)11 976 2010
Fax: +27 (0)11 976 2012
info@ishidaeurope.com

ISHIDA SWEDEN
Tel: +46 (0)31 871 320
info@ishidaeurope.com

ISHIDA SWITZERLAND
Tel: +41 (0)41 799 7999
Fax: +41 (0)41 790 3927
info@ishida.ch