



Working with you every step of the way

Our extensive R&D investment is directed at meeting the challenges of the fast-changing food industry around the globe.

We aim to support our partners fully, from the very start of the buying process, and you will find many equipment brochures, visual animations and case studies available on our website. When you are ready to make contact, a well-resourced network of Ishida companies, distributors and agents, extending across Europe, the Middle East and Africa, can provide advice and organise demonstrations and trials.

Installation is rapid and efficient. For integrated packing lines, we use proven project management techniques and methodologies, tuned to your key objectives and specifications.

A dedicated pan-European service engineering team helps to maximise the performance, functionality and reliability of our installed base. In addition, spares facilities are strategically placed throughout the territory, offering 24-hour delivery in most cases.



helpline • spares • service • training



ISHIDA EUROPE LIMITED
Kettles Wood Drive
Woodgate Business Park
Birmingham
B32 3DB
United Kingdom
Tel: +44 (0)121 607 7700
Fax: +44 (0)121 607 7888
info@ishidaeurope.com

ISHIDA CZECH REPUBLIC
Tel: +420 220 960 422
info@ishidaeurope.cz

ISHIDA EAST AFRICA
Tel: +254 (0)202 000425
info@ishidaeurope.com

ISHIDA FRANCE
Tel: +33 (0)1 48 63 83 83
Fax: +33 (0)1 48 63 24 29
info@ishidaeurope.fr

ISHIDA GERMANY
Tel: +49 (0)791 945 160
Fax: +49 (0)791 945 1699
info@ishida.de

ISHIDA MIDDLE EAST
Tel: +971 (0)4 299 1933
Fax: +971 (0)4 299 1955
ishida@ishida.ae

ISHIDA NETHERLANDS
Tel: +31 (0)499 39 3675
Fax: +31 (0)499 39 1887
info@ishida.nl

ISHIDA ROMANIA
Tel: +4 021 326 69 81
Fax: +4 021 326 69 82
info@ishidaeurope.ro

ISHIDA RUSSIA AND CIS
Tel: +7 499 272 05 36
Fax: +7 499 272 05 37
info@ishidaeurope.ru

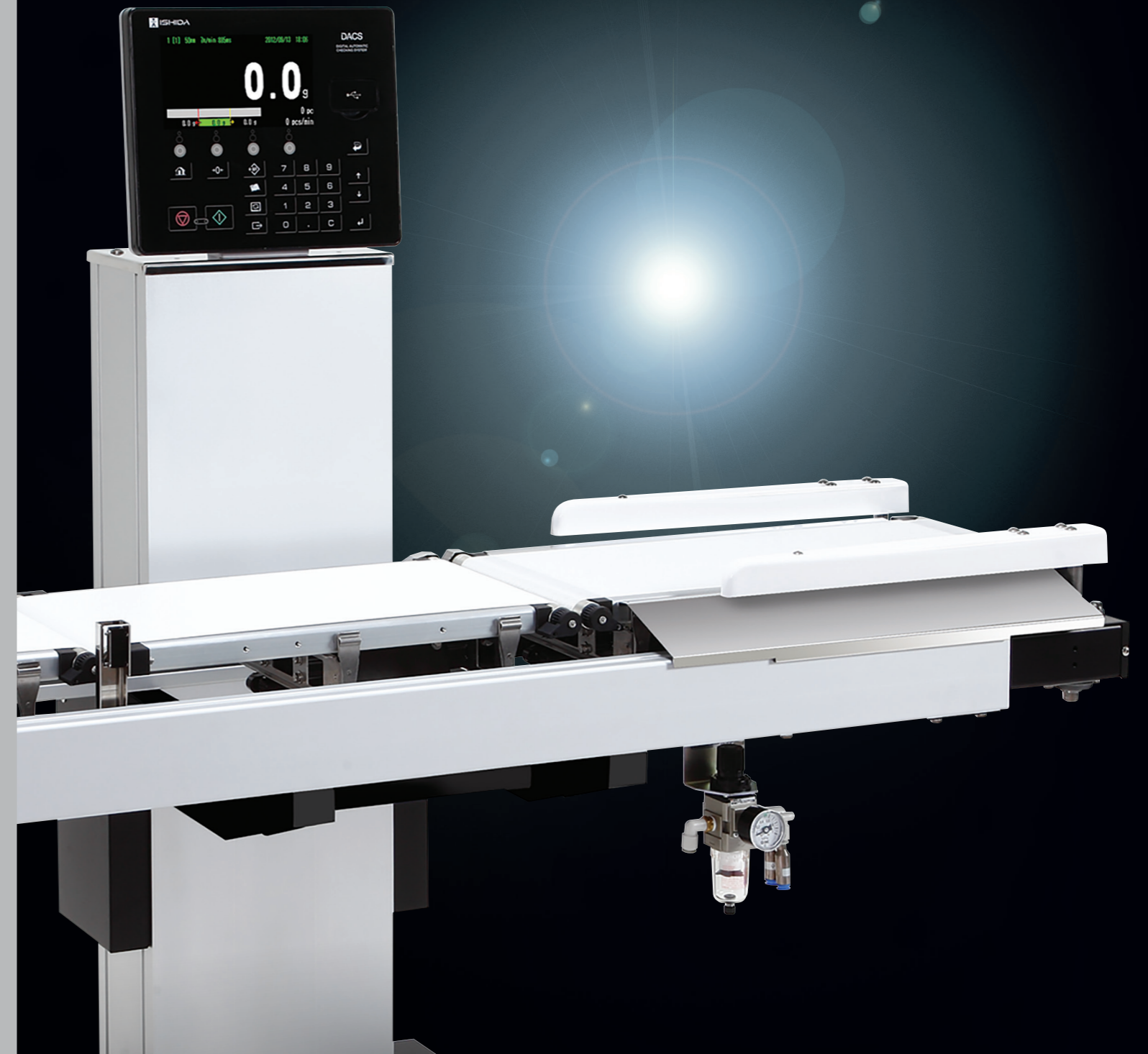
ISHIDA SOUTH AFRICA
Tel: +27 (0)11 976 2010
Fax: +27 (0)11 976 2012
info@ishidaeurope.com

ISHIDA SWEDEN
Tel: +46 (0)31 871 320
info@ishidaeurope.se

ISHIDA SWITZERLAND
Tel: +41 (0)41 799 7999
Fax: +41 (0)41 790 3927
info@ishida.ch

DACS-EL

High-precision checkweigher with great flexibility

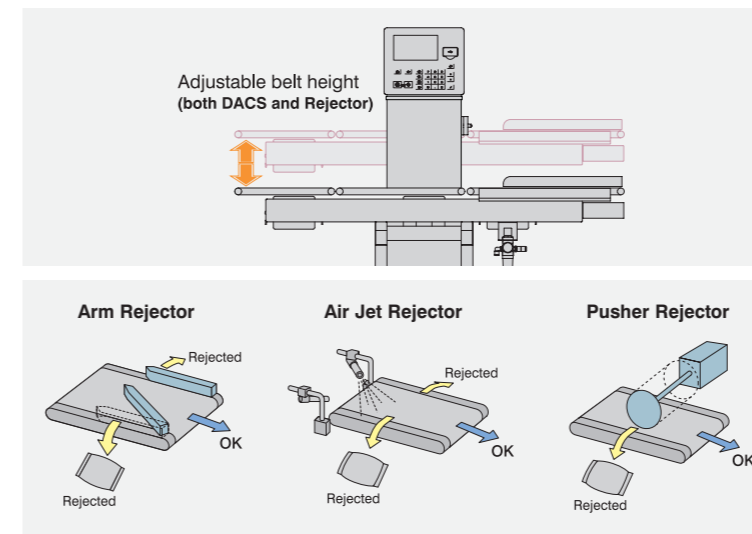




DACS-EL

Simple yet sophisticated, the DACS-EL is the perfect checkweigher for cost-effective quality control.

The DACS-EL can enhance your production line, combining world-class technology with clever design.



Intelligent conveying

The cantilever uni-frame conveyor is designed to maintain a neat and tidy product flow, before and after weight checks. The conveyor height and flow direction can be easily changed to best suit your product.

Built-in rejector

The conveyor intricately integrates a rejector, minimizing the machine size to maximize your space. Rejectors can be configured with arms, air-jets or pushers.

User-friendly terminal

The terminal interface boasts a clear display, making it easy to set your desired weighing conditions or view data in graph and histogram form.

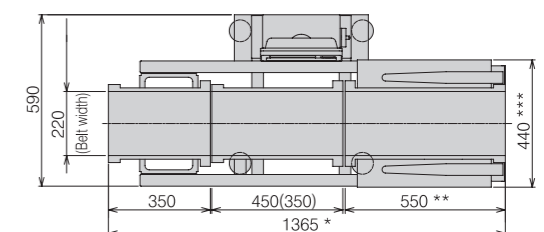
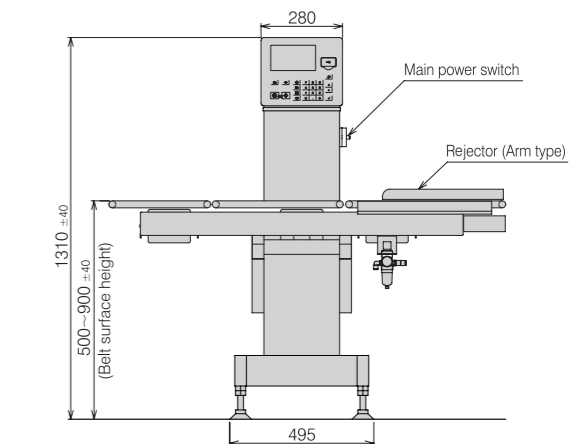


Model	Arm Type Rejector		Air-jet Type Rejector		Pusher Type Rejector	
	DACS-EL-S012-23/PB-I-A3(2)	DACS-EL-S012-24/PB-I-A3(2)	DACS-EL-S012-23/PB-I-J3(2)	DACS-EL-S012-24/PB-I-J3(2)	DACS-EL-S012-23/PB-I-P2	DACS-EL-S012-24/PB-I-P2
Weighing Capacity	1200g					
Weighing Range	10-1200g					
Weighing Accuracy*	± 0.3g~		± 0.2g~		± 0.3g~	
Weighing Speed	Max. 150/WPM	Max. 120/WPM	Max. 200/WPM		Max. 150/WPM	Max. 120/WPM
Product Dimensions	Length	60-300mm	60-300mm	60-300mm	60-300mm	60-300mm
	Width	30-220mm	30-220mm	30-220mm	30-220mm	30-220mm
	Height	10-130mm	10-130mm	10-130mm	10-130mm	10-130mm
Conveyor Size	Weigh Conveyor	W220mm x L350mm	W220mm x L450mm	W220mm x L350mm	W220mm x L450mm	W220mm x L450mm
	Infeed Conveyor	W220mm x L350mm	W220mm x L350mm	W220mm x L350mm	W220mm x L350mm	W220mm x L350mm
Weigh Cell	Double-beam load cells					
Minimum Graduation	0.1g					
Belt Speed	15 - 95m /min					
Belt Height	500 - 900 ± 40mm					
Zero Adjustment	Auto zero point correction					
Control Unit	7 inch colour LCD					
Presets	Max. 300 items					
Construction	IP30 (International standard)					
Temperature	0 °C - 40°C Relative Humidity 30% - 85%, No condensation					
Power Supply	Single phase AC 100/110/120/200/208/220/230/240V 140W 1.5/2.5/3.0 A 50/60Hz					
Main Body Weight	80kg		75kg		80kg	

* Depends on the product shape, installation environment and other conditions.

Dimensions

DACS-EL-S012-24(23)/PB-I (with Arm type rejector)



Dimensions of other rejector types
Unit mm
1265 (Air Jet type / Pusher type)
*** 440 (Air Jet type)
*** 595 (Pusher type)
** 450 (Air Jet type / Pusher type)